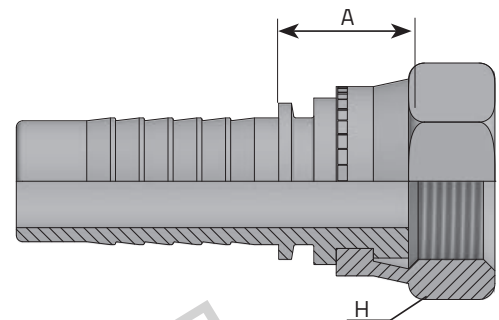




BSPP FEMALE (FLAT SEAT)

FEMMINA DIRITTA BSPP SEDE PIANA
 FEMELLE DROIT BSPP FACE PLATE
 DKR-F FLACHDICHTEND (BSPP-GEWINDE)
 HEMBRA RECTA BSPP ASIEN TO PLANO



Code	Tube		Thread		Dimensions			Pressure	
	D.N.	Hose	Diam	T	t/1"	H	A	Bar	Psi
		Inch	mm	Inch		mm	mm		
FDGSP0404	-4	1/4"	6.4	1/4"	19	19	14	450	6526
FDGSP0406	-4	1/4"	6.4	3/8"	19	22	15	450	6526
FDGSP0506	-5	5/16"	7.9	3/8"	19	22	15	350	5076
FDGSP0606	-6	3/8"	9.5	3/8"	19	22	16	450	6526
FDGSP0608	-6	3/8"	9.5	1/2"	14	27	17	450	6526
FDGSP0808	-8	1/2"	12.8	1/2"	14	27	17	415	6019
FDGSP0810	-8	1/2"	12.8	5/8"	14	28	17	415	6019
FDGSP0812	-8	1/2"	12.8	3/4"	14	32	19	415	6019
FDGSP1010	-10	5/8"	16	5/8"	14	28	17	350	5076
FDGSP1012	-10	5/8"	16	3/4"	14	32	20	350	5076
FDGSP1212	-12	3/4"	19	3/4"	14	32	21	350	5076
FDGSP1216	-12	3/4"	19	1"	11	38	22	350	5076
FDGSP1616	-16	1"	25.4	1"	11	38	23	280	4061
FDGSP2020	-20	1.1/4"	31.8	1.1/4"	11	50	26	210	3046